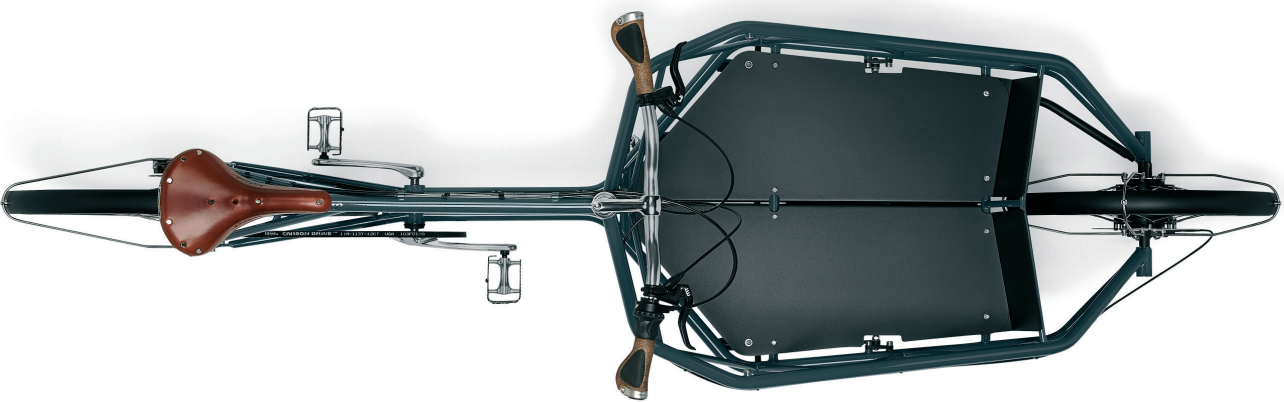




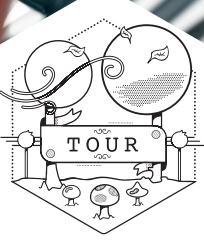
elian



Pedal against the mainstream

In 2011, Elian deconstructed and redesigned the classic Dutch cargo bike to international acclaim. Traditionally, cargo bikes are built for utility rather than riding fulfillment. It's a struggle to keep one in a straight line - especially when loaded with children or shopping. Evaluating

every component, and focusing the steering, Elian created a central steering hub not dissimilar to one pioneered in motorcycle design. The result? A much more stable, responsive ride. Far less jumpy and far more enjoyable for both the passengers and the cyclist.



For your adventurous trips

The Classic Cargo Tour is a light weight cargo bike with a set up made for long distances. The 11 speed Shimano XT group combined with the 650B rear wheel will give you the smoothest ride and take you swiftly to all the beautiful places around the world.



For your daily commute

The Classic Cargo Urban is built for ease and comfort on your daily rides. Equipped with tram track proof tires, a Gates belt drive and a Rohloff 14 speed integrated gear hub it's perfect for crowded environments and an easy bike to maintain.



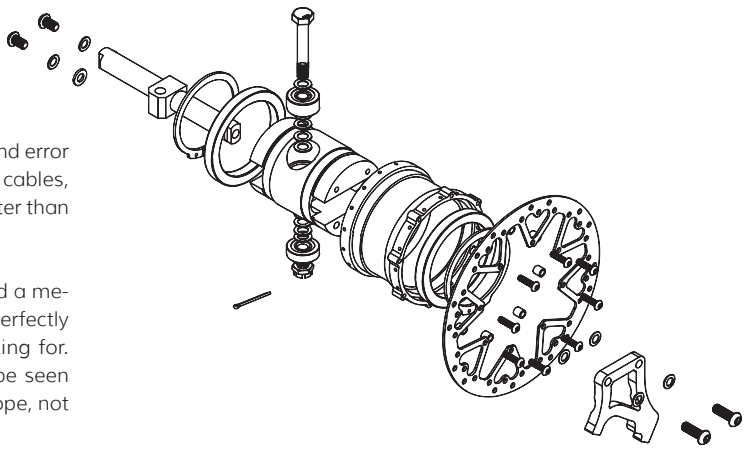
For your steep climbs

The Classic Cargo E-drive is the bike you need for that extra push to keep a smooth ride when riding with your packed up Cargo in a challenging environment. The swiss made Maxon E-drive rear wheel motor makes every climb an easy job.

Elian's patented steering hub

Like all great innovations, it took time and trial and error to perfect. Elian tried several versions, different cables, aiming to create a long wheel bike that rode better than a conventional version.

Finally, the steering hub was engineered around a mechanical rake providing the brilliantly balanced, perfectly controlled ride Elian and his clients were looking for. Which is why the completed cargo bikes can be seen whistling along the streets and avenues of Europe, not just hanging in a gallery.



A bike for riding, not just admiring

Has the Classic Cargo piqued your interest? For more info on all models, dealers or scheduling a test-drive, check out eliancycles.com. We'd love to get in touch with you!

Prinses Marijkelaan 42, 4021ED Maurik, the Netherlands
eliancycles.com - info@eliancycles.com - [@eliancycles](https://www.instagram.com/eliancycles)

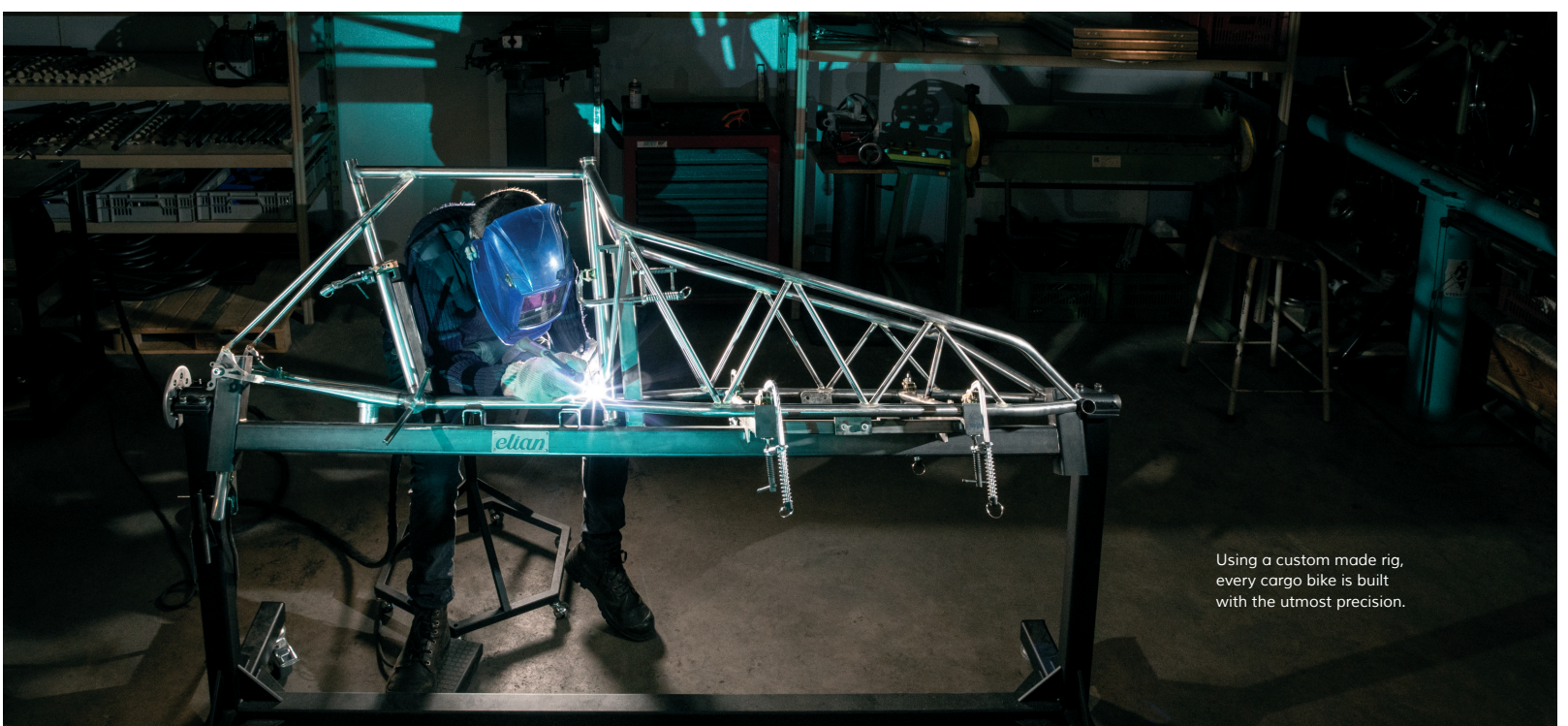


CHANGE THE WAY YOU GO



Another way to get around town. Or around the world

Change the way you design, build and ride is literally the way forward for Elian and his customers. Elian didn't groan when he hears the word mathematics, finds physics fascinating, enjoys engineering and likes design. The perfect skillset for a frame builder. It brought him on a path to change the way people ride a cargo bike. And have great fun along the way! The same goes for his cargo bike riders. Each story is unique. For some it brought them from Amsterdam to the Northcape. For others it changed their daily way of riding in their own city.



Using a custom made rig, every cargo bike is built with the utmost precision.



Limited to 40 unique pieces per year

Every cargo is made by hand and made to match individual specifications. Always the ultimate challenge to transform 15 meter of Chromoly steel tubing into the iconic cargo space frame. Every individual bike has 93 brazing points, 20 tig welds and numerous small details to make it a true work of art. Not only the frameset is tailored to every client's individual measurements, also the choice of powder coating, saddle, handlebars and gearing is exactly as you love it. To guarantee a cargo bike of this outstanding quality, Elian builds them with a small team of professionals, also limiting the number of cargo bike builds to 40 unique pieces per year.



A century of bike building, a decade of engineering

Elian's great-grandfather was the owner of a bicycle shop. His whole family has been actively riding, repairing and working with bikes for generations. As a teenager Elian would often improve and modify his own bikes to match his riding style and he soon progressed to making complete bikes from scratch. Professionally building for over a decade now, Elian's creations can be seen on the roads of every continent.

Prinses Marijkelaan 42, 4021ED Maurik, the Netherlands
eliancycles.com - info@eliancycles.com - @eliancycles

elian